

bourdon tube pressure gauges aluminium case DS 10" (250 mm)



PED 2014/68/EU

These instruments are designed for use in chemical and petrochemical processing industries and in energy power plants. They are built to resist to the most severe operating conditions, to measure gaseous or liquid media which do not have high viscosity or do not crystallize.

1.08.1 - Standard Model

Design: EN837-1.

Safety designation: S1 as per EN 837-2.

Ranges: from 0...1 to 0...1000 bar (or other equivalent units).

Accuracy class: 1 as per EN 837-1.

Ambient temperature: -13...+149 °F (-25...+65 °C).

Process fluid temperature: -40...+302 °F (-40...+150 °C).

Thermal drift: ±0,4 %/10 K of range (starting from 68°F - 20°C).

Working pressure: 100% of

FSV for static pressure;

90% of FSV for pulsating pressure.

Over pressure limit: 30% of FSV (max 12 hours).

Protection degree: IP 55 as per EN 60529/IEC 529.

Socket material: AISI 316L st.st.

Bourdon tube: AISI 316L st.st. seamless tube.

Case: black painted aluminium.

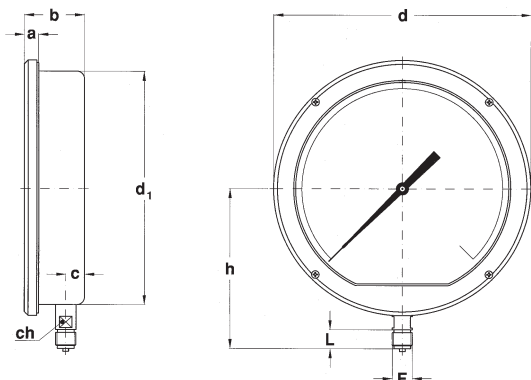
Ring: black painted aluminium.

Window: tempered glass.

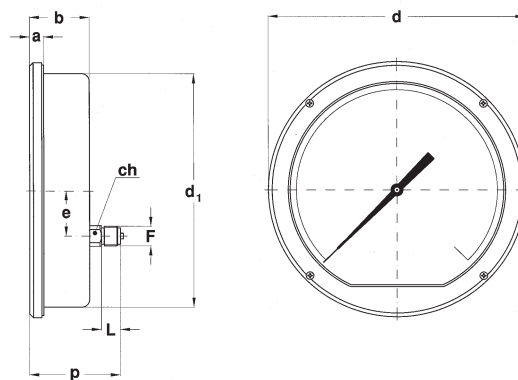
Movement: stainless steel.

Dial: aluminium, white with black markings.

Pointer: not adjustable, aluminium, black.



A - LOWER CONNECTION



D - BACK CONNECTION

Mounting	F	a	b	c	d	d ₁	e	h	p	ch	L	Weight
Lower	41M - G 1/2 A	0.59"	2.48"	0.76"	10.62"	9.72"		6.69"		0.66"	0.78"	6.83 lbs
	43M - 1/2-14 NPT	(15)	(63)	(19,5)	(270)	(247)		(170)		(17)	(20)	(3,1 kg)
Back	41M - G 1/2 A	0.59"	2.48"		10.62"	9.72"	1.88"		3.37"	0.86"	0.78"	7.16 lbs
	43M - 1/2-14 NPT	(15)	(63)		(270)	(247)	(47,8)		(95,5)	(22)	(20)	(3,25 kg)

OPTIONS

K06 - Accuracy class 0.6 as per EN 837-1(1)
P02 - Oxygen service

(1) available only for ranges from 0...30 to 0...600 psi (from 0...2,5 to 0...400 bar)

"HOW TO ORDER" SEQUENCE

Section / Model / Case / Mounting / Diameter / Range / Process connection / Options
1 08 1 A I 41M K06...P02
D 43M